

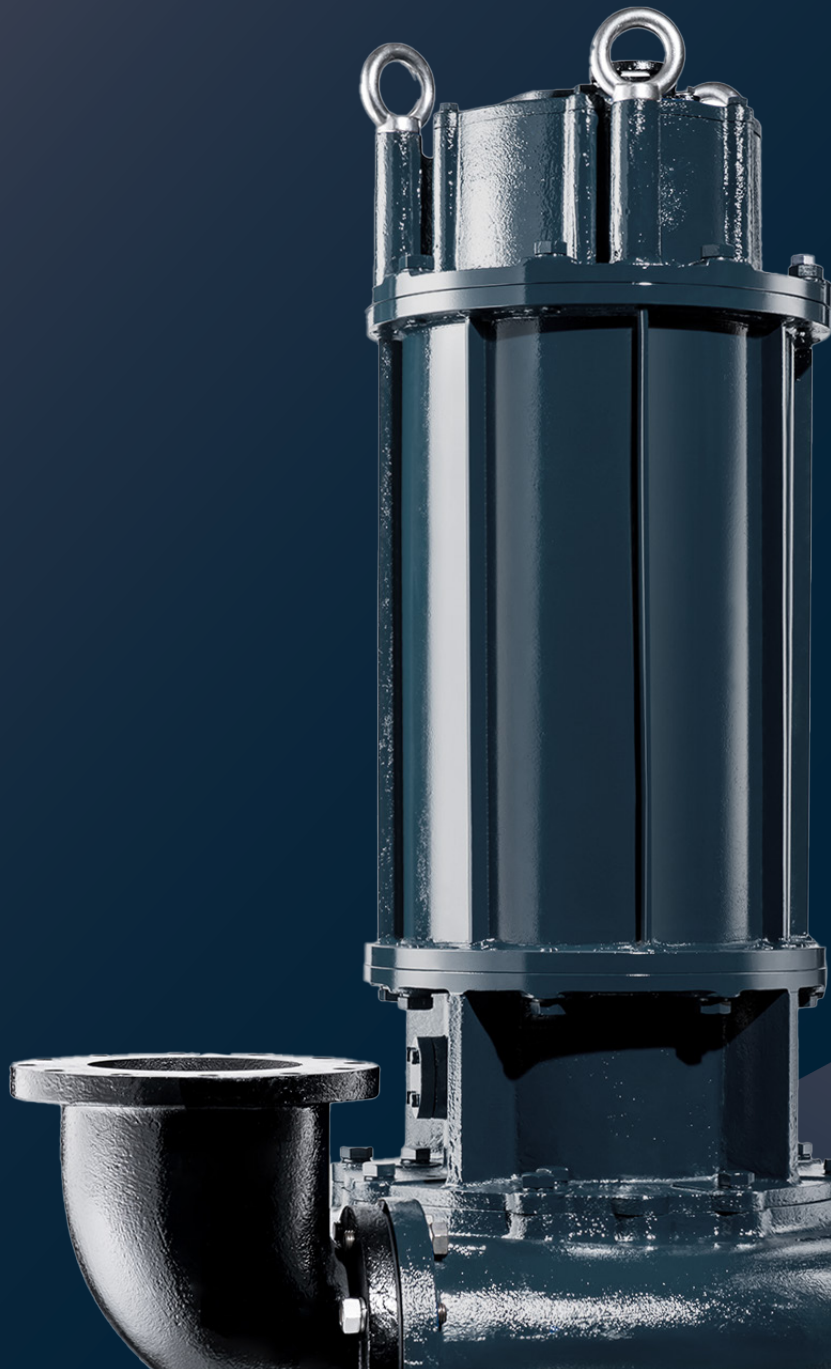
PRORIL

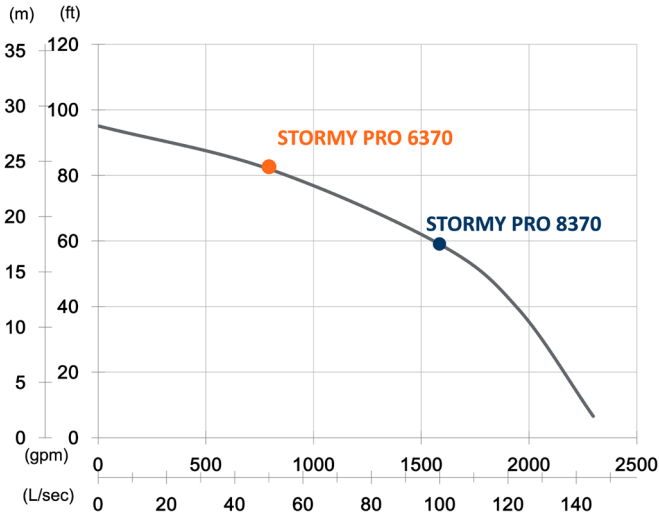
60Hz

Serving a wide range of slurry transport applications, STORMY-P series pumps are designed for long wear life, low energy consumption, excellent performance, and easy maintenance. With patented ACrS Tech and rugged construction, these abrasion and corrosion resistant slurry pumps provide economical solutions for challenging slurry transportation.

Slurry and Sand Pump

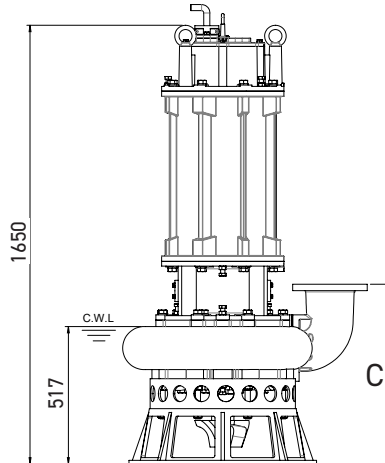
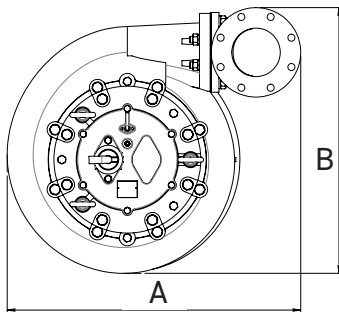
STORMY PRO 6370/8370





	STROMY PRO 6370	STROMY PRO 8370
OUTPUT	50 HP (37 kW)	50 HP (37 kW)
OUTLET	6" (150 mm)	8" (200 mm)
SOLID PASSAGE	2.4" (60 mm)	2.4" (60 mm)
Weight	1683 lbs/765 kg	1696 lbs/771 kg
HEAD	Rated: 82 ft, 25 m Max: 95 ft, 29 m	Rated: 59 ft, 18 m Max: 95 ft, 29 m
FLOW	Rated: 845 gpm, 53.3 L/s Max: 2325gpm, 146.7 L/s	Rated: 1585 gpm, 100 L/s Max: 2325 gpm, 146.7 L/s

Pump Type	Electric Submersible Pumps	
Motor	Phase	3-Phase
	Type	Induction Motor
	Poles	6 Pole (1150 rpm)
	Insulation	Class H
	Protector	D.O.L. • Miniature Thermal Sensor Star-Delta • Miniature Thermal Sensor
	Starter	D.O.L. • Star-Delta
Lubricant	Food Grade (ISO VG32)	
Specs.	Impeller Type	Closed
	Shaft Seal	Slurry Lip Seals
		Silicon Carbide VS Ceramic/Carbon
	Bearings	C3 Shielded ball bearings
	Cable	CSA-Certified PVC Jacketed Cables
33 ft (10 m) or longer upon request		
Materials	Pump Casing	Ductile Iron
	Impeller	Chromium Iron
	Motor Frame	Gray Iron
	Motor Shaft	Stainless Steel
	Wear Plate	Chromium Iron
	Agitator	Chromium Iron
Max. Liquid Temperature	40°C (104°F)	
Max. Submersion Depth	20 m (66 ft)	
pH Range	pH 5 - pH 8	



	A	B	C
STORMY PRO 6370	919	832	676
STORMY PRO 8370	981	854	696

unit : mm
C.W.L. : Continuous running water level